

HYDROCYCLONES IN STAINLESS STEEL 304

SERIES 198

The hydrocyclone filter, or tangential filter, or centrifugal sand separator, is often considered a pre-filter for cleaning liquids or waters that are very sandy or saturated with solid particles such as gravel, or generally with particles heavier than water.

It is usually mounted before a real filtration station. Without any particular maintenance, it filters water coming from:

- rivers • lakes • wells

The percentage of solid deposits eliminated reaches even 90%.

Ensures the filtration of small solid particles such as:

- sand
- gravel
- solid particles of various nature

DIMENSIONAL QUOTES

CYLINDRICAL SERIES (FIG. 2)

Code	ØA	H	B	E/U (entry/exit)	S (I unload)
IC198001	114	760	610	3/4"-3/4"	3/4"
IC198002	114	860	710	1"-1"	3/4"
IC198003	114	910	760	1.1/4"-1.1/4"	3/4"
IC198004	114	960	810	1.1/2"-1.1/2"	3/4"

CONICAL SERIES FIL. (FIG. 3)

Code	ØA	H	B	E/U (entry/exit)	S (I unload)
IC198005	212	960	815	2"-2"	1.1/4"
IC198006	240	1010	840	3"-3"	1.1/4"

CONICAL FLAN SERIES. (FIG. 4)

Code	ØA	H	B	E/U (entry/exit)	S (I unload)
IC198007	323	1235	1070	DN100 (4")	1.1/2"
IC198008	360	1355	1170	DN125 (5")	1.1/2"
IC198009	360	1385	1185	DN150 (6")	2"
IC198010	500	1730	1420	DN200 (8")	2"

The filters are supplied without accessories but with an additional sleeve for the control of the solid residue accumulation tank. On request they can be supplied complete with pressure gauges for the control of the inlet/outlet pressure.

HYDROCYCLONES IN STAINLESS STEEL 304

SERIES 198

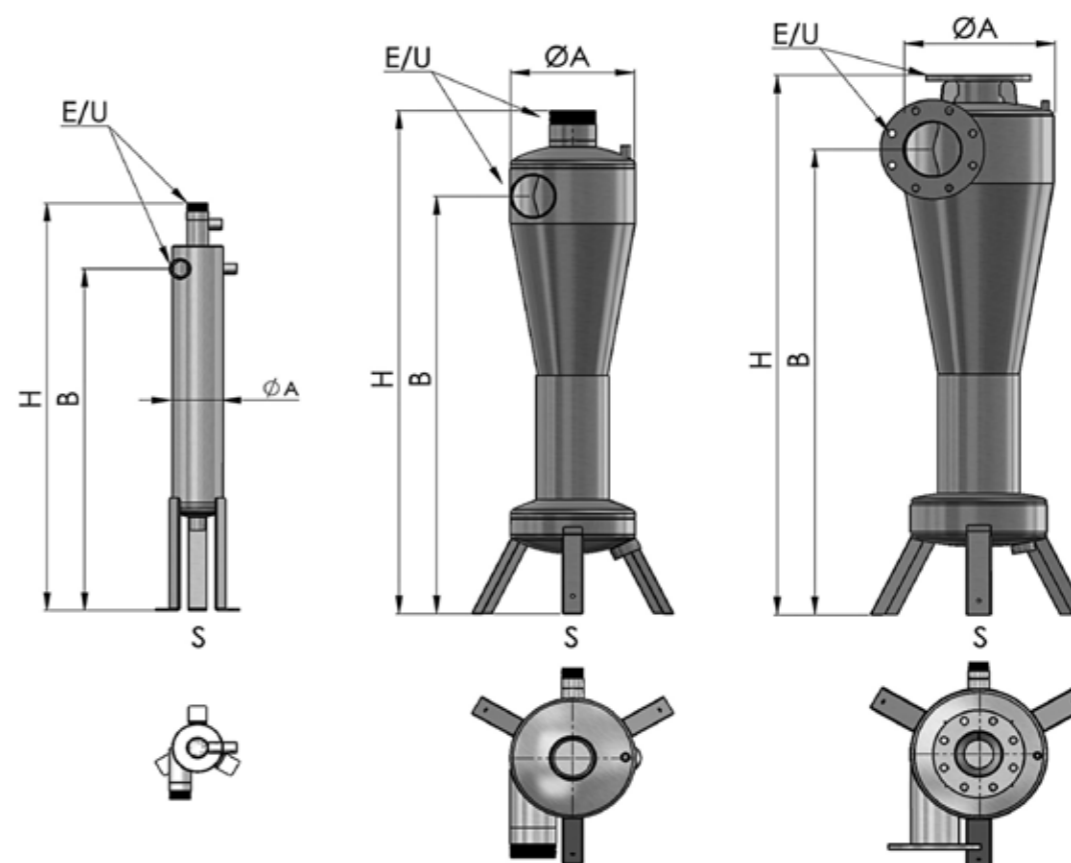
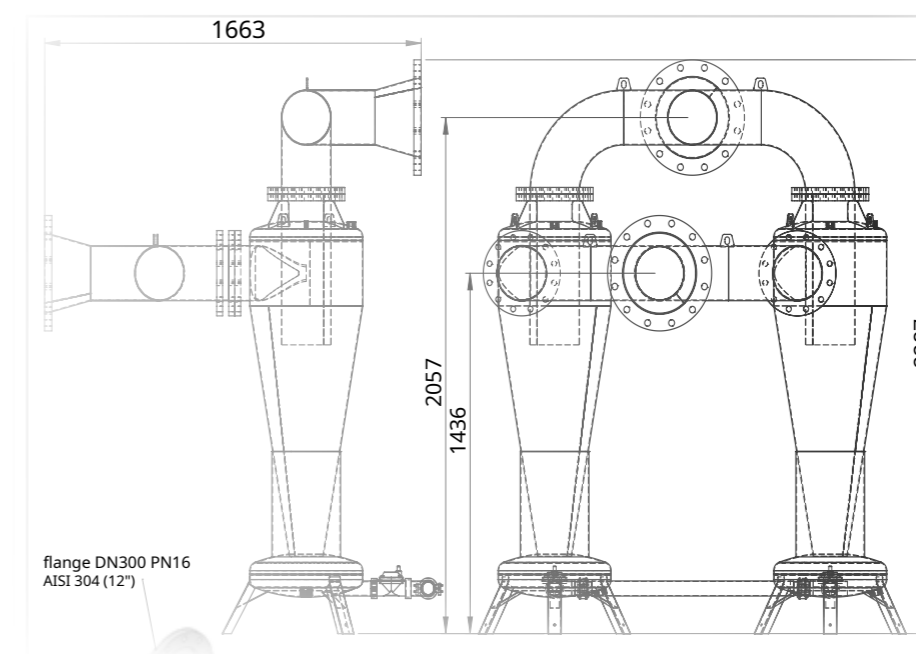


FIG. 2

FIG. 3

FIG. 4

EXAMPLE OF HYDROCYCLONES IN BATTERY



flange DN300 PN16
AISI 304 (12")