



CH-6814 Lamone

FILADOS-GABAC S.A.
TRATTAMENTO ACQUE · PISCINE

Tel. 091 966 13 14 · 091 966 13 94 · Fax 091 966 70 55



1) Microfilter made with synthetic materials and nickel-plated brass

BRAND	:	FILADERS
TYPE	:	F
DIAMETER	:	3/8" and 1/2"
FILTRATION	:	from 8 microns
FILTER HEAD	:	nickel-plated metal
CONTAINER	:	Grilamid
CARTRIDGES	:	PP
RANGE	:	from 0.80 to 1.05 m3/h
TEMPERATURE	:	40°
PRESSURE	:	16 bars





Filados cartridge filter

Water pipes almost always contain impurities. Tiny grains of sand, rust and other particles settle on the walls of the pipes, especially in the bends, and, due to their particular composition, cause corrosion. Over time, this can cause considerable damage to the distribution network.

Repairs to water mains are very expensive and complex. But with timely action, such inconveniences are almost always avoidable.

Filados Prefilter

It works impeccably, eliminating impurities up to 5 μ .

- Extends the life of the distribution network, installations and appliances; ensures the perfect functioning of boilers, valves, taps, washing machines and other household appliances.
- It works simply, safely and without excessive maintenance costs.
- It constantly ensures crystal clear and pure water.

the **Filados pre-filter** It is shortened for cold and hot drinking water and for special situations

- beverages and chemical liquids
- different gases and air.

Technical data

Executions

Built with cutting-edge synthetic materials and finished in nickel-plated o-one which, in addition to allowing a regular flow of water, is very silent. The filter container is cylindrical and made of transparent and very resistant synthetic material.

In the 10 bar filter the container is made of metal material and is resistant to corrosion.

Tu-i the materials used are physiologically harmless. Assembly and service are very simple.

The **yeslter Filados** It's a real provocation for connoisseurs!

Available

With 5, 10, 15, 25 μ thick cartridges.

Materials

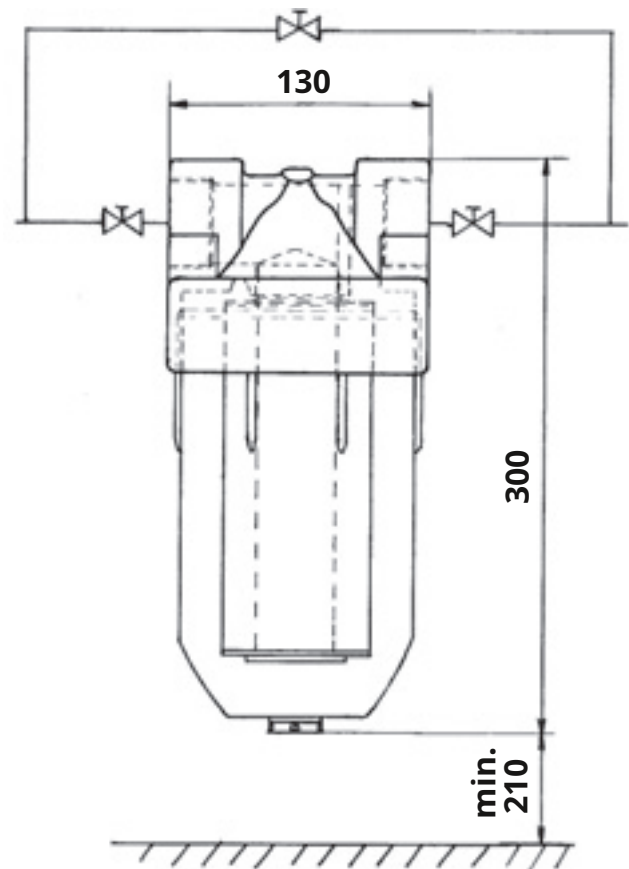
POM lid

Grilamid container

PP Cartridges

O-Ring Nitrile/Viton

Filados FF filter $3/4''$ - $1\ 1/2''$



Filter type	m ³ /h		Temperature	Pressure mass/bar test pressure 40 bar
	Normal 5 μ	Maximum 5 μ		
FF $3/4''$	2.7	4.1	40 °C	16
FF 1"	2.8	4.2	40 °C	16
FF $1\ 1/4''$	4.2	7.2	40 °C	16
FF $1\ 1/2''$	4.3	8.1	40 °C	16

Connection \varnothing = diameter 130 mm, height 300 mm, clearance 210 mm.

The pressure loss of 2 m water column is for normal flow.



Cartridge filter FBF Threads

Tap water almost always contains impurities. Tiny particles of sand, rust, etc. are deposited on the walls of pipes, especially in bends, and depending on their structure lead to corrosion. Over time, this can lead to serious damage to the pipe network.

Repairs to the water supply network are expensive and inconvenient. They can be avoided if precautionary measures are taken in time.

- with integrated shut-off valves and integrated diversion
- preserves from impurities with an unprecedented filtering effect, up to 5 μ
- increases the life of the pipe network, installations and appliances, enables trouble-free operation of boilers, valves, machines and appliances in the household,
- in crafts and industry
- simple and safe operation, without major maintenance costs
- provides clear, clean, drinkable water every day.

Filados cartridge filters are available for drinking and consumption water, hot and cold.

- beverages and chemical liquids
- different gases and air.

Technical data

Execution

- Filter head with integrated Bypass and shut-off valves; construction that offers good flow performance, low noise, nickel-plated tombac.
- Filter container made of shatterproof, impact-resistant synthetic material.
- With the ada-a filter cartridge, the Filados filter in connection with the drain tap is rinseable.
- Practically unlimited use in crafts, industry and household. All the materials used

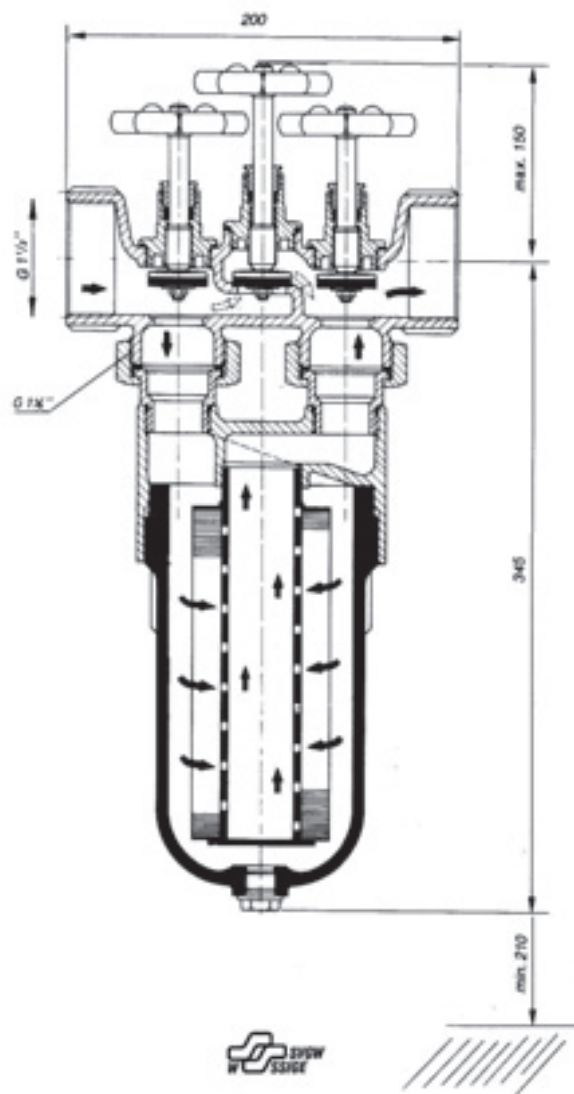
They are physiologically harmless. Assembly and maintenance are hassle-free.

Cartridges with filter fineness of 5, 10, 12, 25 μ .

Material:

- nickel-plated tombac filter head
- Grilamid filter container
- PP cartridges
- PP tube
- O-ring Nitrile/Viton

Fine Filados Bypass Filter



"R" type filter	Normal flow rate m3/h				Temperature of exercise	Max operating pressure bar Test pressure 40 bar
	5 μ cart.	10 μ card	15 μ card	25 μ card		
FBF 1 1/2"	4.3	5.4	6.3	8.1	40 °C	16
FBF 1 1/4"	4.2	5.5	6.1	7.2	40 °C	16
FBF 1"	2.8	3.7	3.9	4.2	40 °C	16

Filter type: hose connection, length 200 mm, height 430 mm, minimum distance from the ground of the filter container 210 mm.

The pressure loss of 0.2 bar is relative to the normal flow of new filter cartridges.