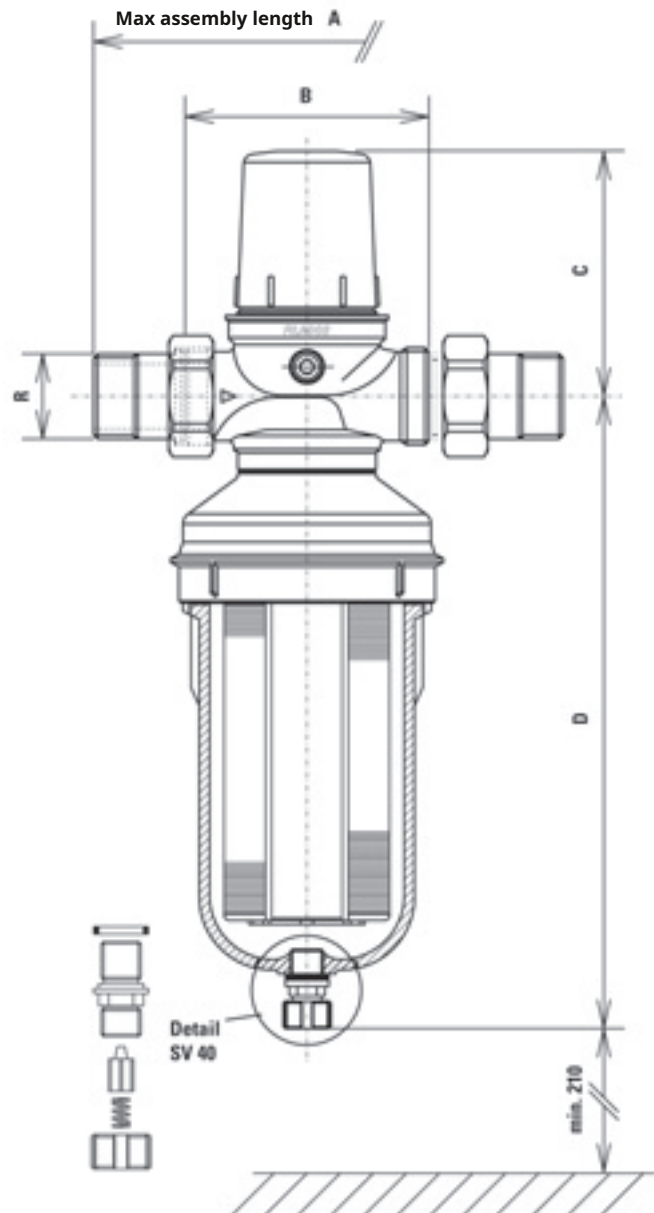




Filados Prefilter type FF DRV 1" and 1 1/4"

- efficient fine filter with combined pressure reducer and fittings
- o-one filter head complete with pressure reducer
- Grilamid filter cup with safety valve or drain tap
- hydraulic connection \varnothing 1" \varnothing 1 1/4"



Technical data

Hydraulic connection: 1" / 1 1/4"
 Max pressure: 16 bars
 Flow rate -p= 2 m Ws: max. 2.8 / 4.2 m³/h L
 Dimensions: 100 / 120 mm
 H 430 mm
 Temperature: max 40 / 50°C
 Filter element: lamellar / compa-o
 Filtration level: 5 - 125 microns
 Flow direction: free

Models:

Best. No. FF DRV / FF DRV M	Type	R	Flow performance [m ³ /h]-p 2mWS 5 10 15 25 75	Operating temp. K-stoff-/metal Filter Street	max pressure exercise (40 bar test)	Dimensions		
						TO	B	CD
184 / 186	FF DRV	1"	2.8 3.7 3.9 4.2 4.2	40° C	16 bars	185	100	115 310
185 / 187	FF DRV	1/1/4"	4.2 5.5 6.1 7.2 7.2	40° C	16 bars	210	120	122 315